

## GENERATOR SET

### Power Ratings

Voltage, Frequency	PRP	ESP
400V, 50Hz cosφ = 0.8	360kVA / 288kW	400kVA / 320kW
Engine Make / Model :	SDEC - SC12E460D2	
Generator Make / Model :	Leroy Somer - TAL046H	
Control Panel :	ComAp AMF 9 Lite	
Charge Alternator [V / A] :	28 V / 70A	
Battery Charger [V / A] :	24V / 5	
Battery / Capacity [V / Ah] :	2 x (12 / 150)	
Block Water Heater [W] :	1 X 2000	
ATS Model / Length x Width x Dept * :	600A / 850x850x300	

### Fuel Consumption

Load	110%	100%	75%	50%
[lt / h]	80	71,6	53,4	36,1
Fuel Tank Capacity [lt - h] Open skid / Canopied :	500 / 570 ltrs			

Based on diesel fuel with a specific gravity of 0.85 and conforming to TS EN590 Class A2



### Diesel Engine

Manufacturer :	SDEC
Engine Model :	SC12E460D2
No. of Cylinders / Alignment :	6 / Inline
Bore / Stroke [mm] :	128 / 153
Compression Ratio :	17,0 : 1
Displacement [lt] :	11,8
Engine Speed [rpm] :	1500
Gross Engine Power ESP / PRP [kW] :	338 / 307

### Generator

Manufacturer :	ALR
Alternator Model :	AA314F
Bearings Type :	Single
Insulation Class :	H
Winding Pitch :	2/3
No. of Wires Terminal :	6
Frequency / Poles :	50Hz / 4p
Voltage (Ph-Ph / Ph-N) :	400V / 230V
Output Power ( 163°C / 27°C ) :	415kVA / 332kW

### Prime Power (PRP)

A Prime rated generator set is capable of providing power to a varying load for an unlimited number of hours per year. Ten percent overload is allowed at one in 12 hours.

### Emergency Standby Power (ESP)

A Standby rated generator set is capable of providing max. power to a varying load for 200 hours per year. No overload is allowed.

### Standard Reference Conditions

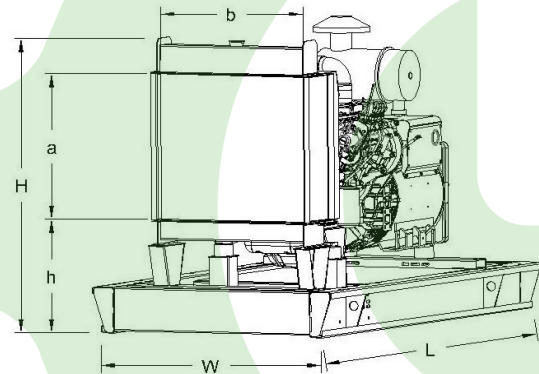
A specified values are given for 25°C ambient temperature, 100m above sea level and 30% relative humidity.

### Dimensions & Weights

	L x W x H (mm) / c x d (mm)	Wet (kg)
Canopy :	3350x1400x2730 / RFI	4008
	L x W x H (mm) / a x b x h (mm)	Wet (kg)
W/O Canopy :	3200X1300X1865 / 1200X1020X535	3100

Dry = Without any liquid

Wet = With lube oil, coolant and fuel



Air Intake System :	Turbocharged & Intercooled
Governor Type / Class 8528 :	Electronic / G2
Total Oil Capacity [lt] :	41
Oil Type :	API CI-4, CH4/ 15W-40
Cooling System Capacity [lt] :	96
Recommended Fuel :	TS EN590, Class A2 Diesel
Emissions Compliance :	Stage II
Housing - Flywheel :	1-14

Regulation Type / Model :	AVR / SX440	
Protection Class :	IP23	
Efficiency :	93,5%	
Voltage Regulation (Steady State) :	± 1.0%	
THD (Total Harmonic Distortion) :	< 3.5%	
	15%	RFI kVA
Voltage Dip.	25%	RFI kVA
	30%	RFI kVA

f = 50Hz, cos φ = 0 is for given.