

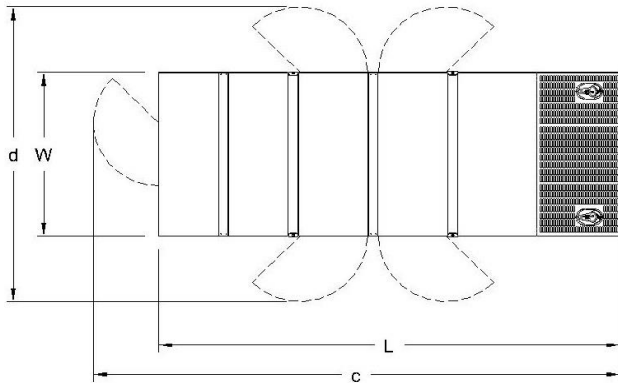
GENERATOR SET

Power Ratings

| Voltage, Frequency | PRP | ESP |
|---------------------------------------|--------------------|----------------|
| 400V, 50Hz cosφ = 0.8 | 258kVA / 208kW | 286kVA / 228kW |
| Engine Make / Model : | SDEC - SC9D340D2 | |
| Generator Make / Model : | ALR - AA314D | |
| Control Panel : | ComAp AMF 9 Lite | |
| Charge Alternator [V / A] : | 24.0 / 55-Negative | |
| Battery Charger [V / A] : | 27.3 / 5 | |
| Battery / Capacity [V / Ah] : | 2 x (12 / 120) | |
| Block Water Heater [W] : | 1500 | |
| ATS Model / Length x Width x Dept * : | 400A / 750x300x750 | |

Fuel Consumption

| Load | 110% | 100% | 75% | 50% |
|------------------------------------------------------------------------------------------|------|------|------|------|
| [lt / h] | 59,6 | 54,1 | 40,8 | 27,3 |
| Fuel Tank Capacity [lt - h @ %75 load] Open skid / Canopied : 350-8,5/380-9,3 | | | | |
| Based on diesel fuel with a specific gravity of 0.85 and conforming to TS EN590 Class A2 | | | | |



Diesel Engine

| | |
|-------------------------------------|------------|
| Manufacturer : | SDEC |
| Engine Model : | SC9D340D2 |
| No. of Cylinders / Alignment : | 6 / Inline |
| Bore / Stroke [mm] : | 114 / 144 |
| Compression Ratio : | 16,5 : 1 |
| Displacement [lt] : | 8,9 |
| Engine Speed [rpm] : | 1500 |
| Gross Engine Power ESP / PRP [kW] : | 250 / 228 |

Generator

| | |
|---------------------------------|----------------|
| Manufacturer : | ALR |
| Alternator Model : | AA314D |
| Bearings Type : | Single |
| Insulation Class : | H |
| Winding Pitch : | 2/3 |
| No. of Wires Terminal : | 6 |
| Frequency / Poles : | 50Hz / 4p |
| Voltage (Ph-Ph / Ph-N) : | 400V / 230V |
| Output Power (163°C / 27°C) : | 330kVA / 264kW |

Prime Power (PRP)

A Prime rated generator set is capable of providing power to a varying load for an unlimited number of hours per year. Ten percent overload is allowed at one in 12 hours.

Emergency Standby Power (ESP)

A Standby rated generator set is capable of providing max. power to a varying load for 200 hours per year. No overload is allowed.

Standard Reference Conditions

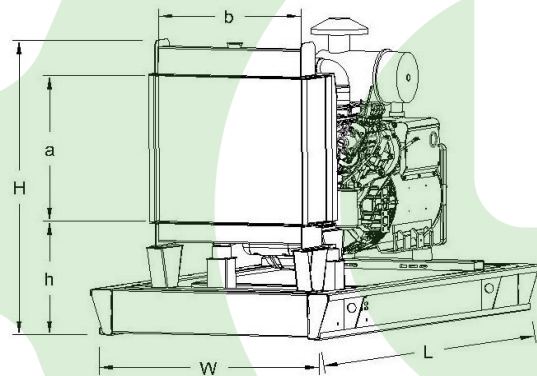
A specified values are given for 25°C ambient temperature, 100m above sea level and 30% relative humidity.

Dimensions & Weights

| | L x W x H (mm) / c x d (mm) | Wet (kg) |
|--------------|---------------------------------|----------|
| Canopy : | 3400x1250x2110 / RFI | 2900 |
| | L x W x H (mm) / a x b x h (mm) | Wet (kg) |
| W/O Canopy : | 2600X1050X1800 / 970X860X610 | 2200 |

Dry = Without any liquid

Wet = With lube oil, coolant and fuel



| | |
|--------------------------------|----------------------------|
| Air Intake System : | Turbocharged & Intercooled |
| Governor Type / Class 8528 : | Electronic / G2 |
| Total Oil Capacity [lt] : | 25 |
| Oil Type : | API CI-4, CH4/ 15W-40 |
| Cooling System Capacity [lt] : | 42,5 |
| Recommended Fuel : | TS EN590, Class A2 Diesel |
| Emissions Compliance : | Stage II |
| Housing - Flywheel : | 2-11.5 |

| | | |
|-------------------------------------|-------------|---------|
| Regulation Type / Model : | AVR / SX440 | |
| Protection Class : | IP23 | |
| Efficiency (Pf 0,8 Prime) | 93,6% | |
| Voltage Regulation (Steady State) : | ± 1.0% | |
| THD (Total Harmonic Distortion) : | < 3.5% | |
| | 15% | RFI kVA |
| Voltage Dip. | 25% | RFI kVA |
| | 30% | RFI kVA |

f = 50Hz, cosφ = 0 is for given.