

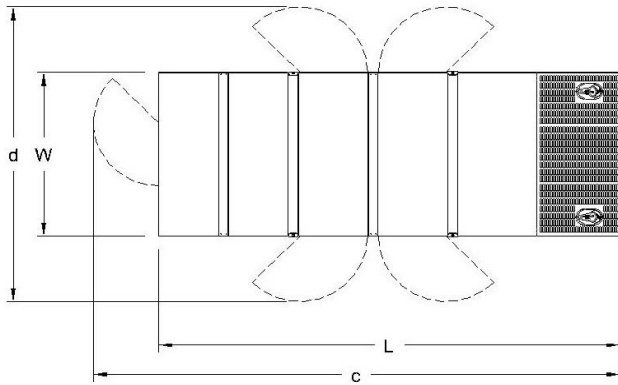
## GENERATOR SET

### Power Ratings

Voltage, Frequency	PRP	ESP
400V, 50Hz cosφ = 0.8	700kVA / 560kW	770kVA / 616kW
Engine Make / Model :	Scania -DC16072A 02-13	
Generator Make / Model :	Leroy Somer - TAL0497B	
Control Panel :	ComAp Inteligen AMF9	
Charge Alternator [V / A] :	28V / 100A	
Battery Charger [V / A] :	27.3 / 5	
Battery / Capacity [V / Ah] :	2 x 180 Ah	
Block Water Heater [W] :	2 X 2000 W / 230V + 1 pump	
ATS Model / Length x Width x Dept * :	ATS 1250A / 1300X500X1700	

### Fuel Consumption

Load	110%	100%	75%	50%
[lt / h]	156	141	104,65	70,86
Fuel Tank Capacity [lt] :	open skid - 680 lt / Canopied - 990 lt			
Based on diesel fuel with a specific gravity of 0.85 and conforming to TS EN590 Class A2				



### Diesel Engine

Manufacturer :	Scania
Engine Model :	DC16072A 02-13
No. of Cylinders / Alignment :	8V
Bore / Stroke [mm] :	130 / 154
Compression Ratio :	16,7/1
Displacement [lt] :	16,4
Engine Speed [rpm] :	1500
Gross Engine Power ESP / PRP [kW] :	680 / 621

### Generator

Manufacturer :	Leroy Somer
Alternator Model :	TAL049B
Bearings Type :	Single
Insulation Class :	H
Winding Pitch :	2/3
No. of Wires Terminal :	6
Frequency / Poles :	50Hz / 4p
Voltage (Ph-Ph / Ph-N) :	400V / 230V
Output Power ( 163°C / 27°C ) :	805kVA / 644kW

### Prime Power (PRP)

A Prime rated generator set is capable of providing power to a varying load for an unlimited number of hours per year. Ten percent overload is allowed at one in 12 hours.

### Emergency Standby Power (ESP)

A Standby rated generator set is capable of providing max. power to a varying load for 200 hours per year. No overload is allowed.

### Standard Reference Conditions

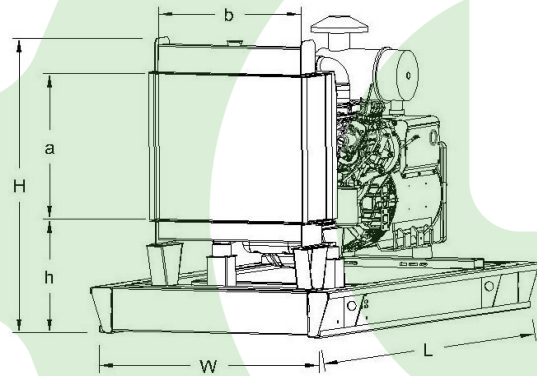
A specified values are given for 25°C ambient temperature, 100m above sea level and 30% relative humidity.

### Dimensions & Weights

	L x W x H (mm) / c x d (mm)	Wet (kg)
Canopy :	4100 x 1600 x 2550 / 4350 x 2700	5200 kg
	L x W x H (mm) / a x b x h (mm)	Wet (kg)
W/O Canopy :	3360 x 1350 x 2200 / 1720 x 1120 x 300	3740 kg

Dry = Without any liquid

Wet = With lube oil, coolant and fuel



Air Intake System :	Turbocharged / Intercooled
Governor Type / Class 8528 :	Electronic-EDC4
Total Oil Capacity [lt] :	45
Oil Type :	API CI-4 / 15W-40
Cooling System Capacity [lt] :	68
Recommended Fuel :	TS EN590, Class A2 Diesel
Emissions Compliance :	Tier II
Housing - Flywheel :	SAE 1/14

Regulation Type / Model :	AVR / R150	
Protection Class :	IP23	
Efficiency (Pf 0,8 Prime)	93,7.0%	
Voltage Regulation (Steady State) :	± 1.0%	
THD (Total Harmonic Distortion) :	< 3.5% in no load	
	15%	450kVA
Voltage Dip.	25%	830kVA
	30%	1070kVA

f = 50Hz, Voltage dip is given for Locked rotor at P.F.=0.6 .