

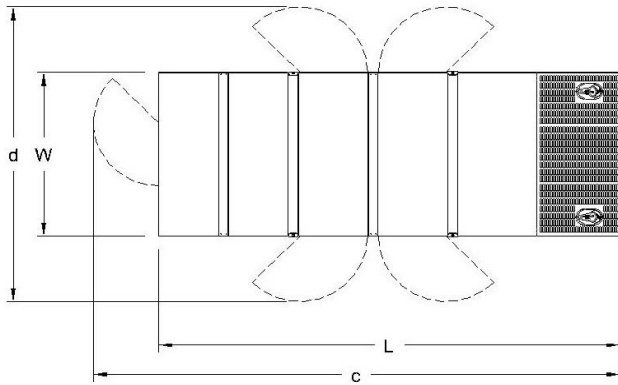
GENERATOR SET

Power Ratings

Voltage, Frequency	PRP	ESP
400V, 50Hz cosφ = 0.8	410kVA / 328kW	450kVA / 360kW
Engine Make / Model :	Scania - DC13072A 02-12	
Generator Make / Model :	Leroy Somer - TAL047A	
Control Panel :	ComAp Inteligen AMF9	
Charge Alternator [V / A] :	28V / 100A	
Battery Charger [V / A] :	27.3 / 5	
Battery / Capacity [V / Ah] :	2 x 150 Ah	
Block Water Heater [W] :	2000 W / 230V	
ATS Model / Length x Width x Depth * :	ATS 700A / 850X850X300	

Fuel Consumption

Load	110%	100%	75%	50%
[lt / h]	88,18	78,58	59,25	39,93
Fuel Tank Capacity [lt] :	open skid - 554 lt / Canopied - 730 lt			
Based on diesel fuel with a specific gravity of 0.85 and conforming to TS EN590 Class A2				



Diesel Engine

Manufacturer :	Scania
Engine Model :	DC13072A 02-12
No. of Cylinders / Alignment :	5L
Bore / Stroke [mm] :	130 / 160
Compression Ratio :	16,3/1
Displacement [lt] :	12,7
Engine Speed [rpm] :	1500
Gross Engine Power ESP / PRP [kW] :	403 / 365

Generator

Manufacturer :	Leroy Somer
Alternator Model :	TAL047A
Bearings Type :	Single
Insulation Class :	H
Winding Pitch :	2/3
No. of Wires Terminal :	6
Frequency / Poles :	50Hz / 4p
Voltage (Ph-Ph / Ph-N) :	400V / 230V
Output Power (163°C / 27°C) :	450 kVA / 360 kW

Prime Power (PRP)

A Prime rated generator set is capable of providing power to a varying load for an unlimited number of hours per year. Ten percent overload is allowed at one in 12 hours.

Emergency Standby Power (ESP)

A Standby rated generator set is capable of providing max. power to a varying load for 200 hours per year. No overload is allowed.

Standard Reference Conditions

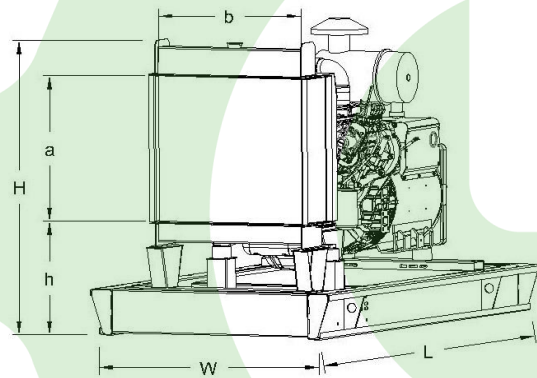
A specified values are given for 25°C ambient temperature, 100m above sea level and 30% relative humidity.

Dimensions & Weights

	L x W x H (mm) / c x d (mm)	Wet (kg)
Canopy :	4100 x 1600 x 2550 / 4350 x 2700	4150 kg
	L x W x H (mm) / a x b x h (mm)	Wet (kg)
W/O Canopy :	3200 x 1250 x 2150 / 1180 x 1020 x 640	2980 kg

Dry = Without any liquid

Wet = With lube oil, coolant and fuel



Air Intake System :	Turbocharged / Intercooled
Governor Type / Class 8528 :	Electronic-EDC4
Total Oil Capacity [lt] :	45
Oil Type :	API CI-4 / 15W-40
Cooling System Capacity [lt] :	45
Recommended Fuel :	TS EN590, Class A2 Diesel
Emissions Compliance :	Tier II
Housing - Flywheel :	SAE 1/14

Regulation Type / Model :	AVR / R150
Protection Class :	IP23
Efficiency (Pf 0,8 Prime)	93,3%
Voltage Regulation (Steady State) :	± 1.0%
THD (Total Harmonic Distortion) :	< 3,5.0% w/o load/ < 5 % on load
	15% 220 kVA
Voltage Dip.	25% 470 kVA
	30% 605 kVA

f = 50Hz, motor starting is SHUNT, cosφ = 0,6 is for given.