

GENERATOR SET

Power Ratings

| Voltage, Frequency | PRP | ESP |
|---|---------------------------|-----------------|
| 400V, 50Hz cosφ = 0.8 | 1062kVA / 850kW | 1168kVA / 935kW |
| Engine Make / Model : | MHI - S12H-PTA | |
| Generator Make / Model : | Leroy Somer - LSA50.2 M6 | |
| Control Panel : | ComAp AMF 9 Lite | |
| Charge Alternator [V / A] : | 24.0 / 30-Negative | |
| Battery Charger [V / A] : | 27.3 / 5 | |
| Battery / Capacity [V / Ah] : | 4 x 150 Ah | |
| Block Water Heater [W] : | 2 X 2000 W / 230V | |
| ATS Model / Length x Width x Height * : | ATS 1600A / 1100X2100X600 | |

Fuel Consumption

| Load | 110% | 100% | 75% | 50% |
|--|------|------|-----|-----|
| [lt / h] | 236 | 217 | 166 | 114 |
| Fuel Tank Capacity [lt] : External fuel tank | 1815 | | | |

Based on diesel fuel with a specific gravity of 0.85 and conforming to TS EN590 Class A2

Prime Power (PRP)

A Prime rated generator set is capable of providing power to a varying load for an unlimited number of hours per year. Ten percent overload is allowed at one in 12 hours.

Emergency Standby Power (ESP)

A Standby rated generator set is capable of providing max. power to a varying load for 200 hours per year. No overload is allowed.

Standard Reference Conditions

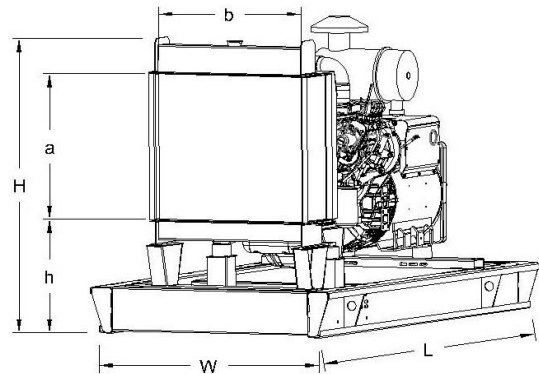
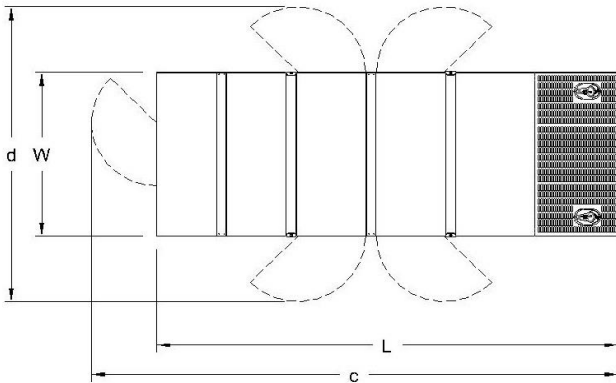
A specified values are given for 25°C ambient temperature, 100m above sea level and 30% relative humidity.

Dimensions & Weights

| | L x W x H (mm) / c x d (mm) | Wet (kg) |
|--------------|---------------------------------|----------|
| Canopy : | 4800x2250x3470 / TBA | 8125 |
| | L x W x H (mm) / a x b x h (mm) | Wet (kg) |
| W/O Canopy : | 4500X2050X2500 / 1680x1720x640 | 7025 |

Dry = Without any liquid

Wet = With lube oil, coolant and fuel



Diesel Engine

| | |
|-------------------------------------|------------|
| Manufacturer : | MHI |
| Engine Model : | S12H-PTA |
| No. of Cylinders / Alignment : | 12 / V |
| Bore / Stroke [mm] : | 150 / 175 |
| Compression Ratio : | 14,0 : 1 |
| Displacement [lt] : | 37,11 |
| Engine Speed [rpm] : | 1500 |
| Gross Engine Power ESP / PRP [kW] : | 1020 / 930 |

Generator

| | |
|---------------------------------|------------------|
| Manufacturer : | Leroy Somer |
| Alternator Model : | LSA50.2 M6 |
| Bearings Type : | Single |
| Insulation Class : | H |
| Winding Pitch : | 2/3 |
| No. of Wires Terminal : | 6 |
| Frequency / Poles : | 50Hz / 4p |
| Voltage (Ph-Ph / Ph-N) : | 400V / 230V |
| Output Power (163°C / 27°C) : | 1375kVA / 1100kW |

| | |
|--|----------------------------|
| Air Intake System : | Turbocharged & Intercooled |
| Governor Type / Class 8528 : | Electronic / G2 |
| Total Oil Capacity [lt] : | 200 |
| Oil Type : | API CI-4, CH4/ 15W-40 |
| Cooling System Capacity [lt] : (Engine only) | 100 |
| Recommended Fuel : | TS EN590, Class A2 Diesel |
| Emissions Compliance : | TBA |
| Housing - Flywheel : | 0-18 |

| | | |
|-------------------------------------|------------|---------|
| Regulation Type / Model : | AVR / R450 | |
| Protection Class : | IP23 | |
| Efficiency : | 95.1% | |
| Voltage Regulation (Steady State) : | ± 0.5% | |
| THD (Total Harmonic Distortion) : | < 3.5% | |
| | 15% | 1100kVA |
| Voltage Dip. | 25% | 2050kVA |
| | 30% | 2600kVA |

f = 50Hz, Voltage drops given for locked rotor.