

## GENERATOR SET

### Power Ratings

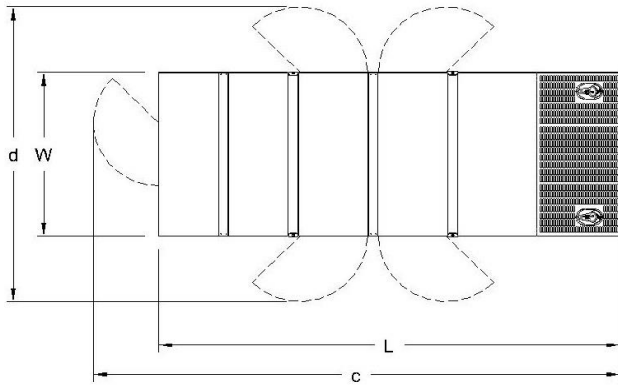
| Voltage, Frequency       | PRP            | ESP            |
|--------------------------|----------------|----------------|
| 400V, 50Hz<br>cosφ = 0.8 | 532kVA / 425kW | 585kVA / 468kW |

|   |                          |
|---|--------------------------|
| Engine Make / Model :                   | Deutz - BF8M1015CP-LA G3 |
| Generator Make / Model :                | Leroy Somer - TAL047d    |
| Control Panel :                         | ComAp AMF 9 Lite         |
| Charge Alternator [V / A] :             | 24 / 55                  |
| Battery Charger [V / A] :               | 24 / 5                   |
| Battery / Capacity [V / Ah] :           | 2 x (12V / 150Ah)        |
| Block Water Heater [W, V] :             | 2 x (1500 W, 230V)       |
| ATS Model / Length x Width x Height * : | 800A / 1000 x 850 x 320  |

### Fuel Consumption

| Load   | 110%      | 100% | 75%  | 50% |
|--|-----------|------|------|-----|
| [lt / h]   | TBA       | 107  | 80,7 | 54  |
| Fuel Tank Capacity [lt] : Open skid / Canopied : | 480 / 740 |      |      |     |

Based on diesel fuel with a specific gravity of 0.85 and conforming to TS EN590 Class A2



### Diesel Engine

|                                     |                  |
|-------------------------------------|------------------|
| Manufacturer :                      | Deutz            |
| Engine Model :                      | BF8M1015CP-LA G3 |
| No. of Cylinders / Alignment :      | 8V               |
| Bore / Stroke [mm] :                | 132 / 145        |
| Compression Ratio :                 | 16,5 : 1         |
| Displacement [lt] :                 | 15,9             |
| Engine Speed [rpm] :                | 1500             |
| Gross Engine Power ESP / PRP [kW] : | 509 / TBA        |

### Generator

|                                 |                  |
|---------------------------------|------------------|
| Manufacturer :                  | Leroy Somer      |
| Alternator Model :              | TAL047D          |
| Bearings Type :                 | Single           |
| Insulation Class :              | H                |
| Winding Pitch :                 | 2/3              |
| No. of Wires Terminal :         | 6                |
| Frequency / Poles :             | 50Hz / 4p        |
| Voltage (Ph-Ph / Ph-N) :        | 400V / 230V      |
| Output Power ( 163°C / 27°C ) : | 600 kVA / 480 kW |

### Prime Power (PRP)

A Prime rated generator set is capable of providing power to a varying load for an unlimited number of hours per year. Ten percent overload is allowed at one in 12 hours.

### Emergency Standby Power (ESP)

A Standby rated generator set is capable of providing max. power to a varying load for 200 hours per year. No overload is allowed.

### Standard Reference Conditions

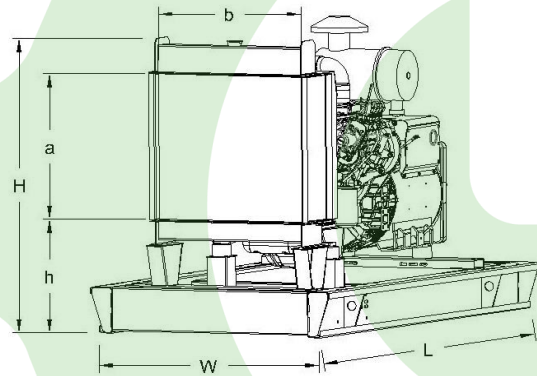
A specified values are given for 25°C ambient temperature, 100m above sea level and 30% relative humidity.

### Dimensions & Weights

|              | L x W x H (mm) / c x d (mm)        | Wet (kg) |
|--------------|------------------------------------|----------|
| Canopy :     | 3350X1800X2890 / TBA               | 4290     |
|              | L x W x H (mm) / a x b x h (mm)    | Wet (kg) |
| W/O Canopy : | 3200X1520X2150 / 1470 x 1270 x 400 | 3970     |

Dry = Without any liquid

Wet = With lube oil, coolant and fuel



|                                |                             |
|--------------------------------|-----------------------------|
| Air Intake System :            | Turbo Charged, Inter Cooler |
| Governor Type / Class 8528 :   | Electronic                  |
| Total Oil Capacity [lt] :      | 48                          |
| Oil Type :                     | API CI-4, CH4/ 15W-40       |
| Cooling System Capacity [lt] : | 116                         |
| Recommended Fuel :             | TS EN590, Class A2 Diesel   |
| Emissions Compliance :         | N/A                         |
| Housing - Flywheel :           | SAE1/14                     |

|                                     |                                  |
|-------------------------------------|----------------------------------|
| Regulation Type / Model :           | AVR / R150                       |
| Protection Class :                  | IP23                             |
| Efficiency :                        | 94,7%                            |
| Voltage Regulation (Steady State) : | ± 1.0%                           |
| THD (Total Harmonic Distortion) :   | < 1,5.0% w/o load/ < 5 % on load |
|                                     | 15% 395 kVA                      |
| Voltage Dip.                        | 25% 730 kVA                      |
|                                     | 30% 930 kVA                      |

f = 50Hz, cos φ = 0,6 , motor starting SHUNT is for given.