

## GENERATOR SET

### Power Ratings

Voltage, Frequency	PRP	ESP
400V, 50Hz cosφ = 0.8	365kVA / 292kW	400kVA / 320kW
Engine Make / Model :	Deutz - BF6M1015C-LA G4	
Generator Make / Model :	ALR - AA314F	
Control Panel :	ComAp AMF 9 Lite	
Charge Alternator [V / A] :	28,5 / 55	
Battery Charger [V / A] :	24 / 5	
Battery / Capacity [V / Ah] :	2 x (12V / 120Ah)	
Block Water Heater [W, V] :	2 x (1500 W, 230V)	
ATS Model / Length x Width x Height * :	600 A / 850 x 850 x 300	

### Fuel Consumption

Load	110%	100%	75%	50%
[lt / h]	TBA	72,3	54,2	37
Fuel Tank Capacity [lt] : Open skid / Canopied :	290 / 510			

Based on diesel fuel with a specific gravity of 0.85 and conforming to TS EN590 Class A2



### Diesel Engine

Manufacturer :	Deutz
Engine Model :	BF6M1015C-LA G4
No. of Cylinders / Alignment :	6V
Bore / Stroke [mm] :	132 / 145
Compression Ratio :	16,5 : 1
Displacement [lt] :	11,9
Engine Speed [rpm] :	1500
Gross Engine Power ESP / PRP [kW] :	345 / 310

### Generator

Manufacturer :	ALR
Alternator Model :	AA314F
Bearings Type :	Single
Insulation Class :	H
Winding Pitch :	2/3
No. of Wires Terminal :	6
Frequency / Poles :	50Hz / 4p
Voltage (Ph-Ph / Ph-N) :	400V / 230V
Output Power ( 163°C / 27°C ) :	415kVA / 332kW

### Prime Power (PRP)

A Prime rated generator set is capable of providing power to a varying load for an unlimited number of hours per year. Ten percent overload is allowed at one in 12 hours.

### Emergency Standby Power (ESP)

A Standby rated generator set is capable of providing max. power to a varying load for 200 hours per year. No overload is allowed.

### Standard Reference Conditions

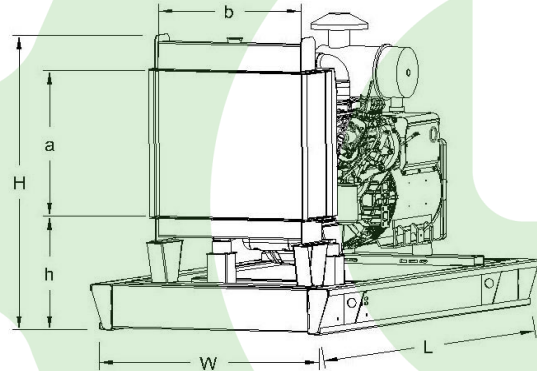
A specified values are given for 25°C ambient temperature, 100m above sea level and 30% relative humidity.

### Dimensions & Weights

	L x W x H (mm) / c x d (mm)	Wet (kg)
Canopy :	3000X1700X2890 / TBA	3180
	L x W x H (mm) / a x b x h (mm)	Wet (kg)
W/O Canopy :	2850X1200X2010 / 1240 x 1060 x 360	2900

Dry = Without any liquid

Wet = With lube oil, coolant and fuel



Air Intake System :	Turbo Charged, Inter Cooler
Governor Type / Class 8528 :	Electronic
Total Oil Capacity [lt] :	38
Oil Type :	API CI-4, CH4/ 15W-40
Cooling System Capacity [lt] :	98
Recommended Fuel :	TS EN590, Class A2 Diesel
Emissions Compliance :	N/A
Housing - Flywheel :	SAE1/14

Regulation Type / Model :	AVR / SX440
Protection Class :	IP23
Efficiency :	93,5%
Voltage Regulation (Steady State) :	± 1.0%
THD (Total Harmonic Distortion) :	< 3.5%
	15% RFI kVA
Voltage Dip.	25% RFI kVA
	30% RFI kVA

f = 50Hz, cos φ = 0 is for given.