

GENERATOR SET

Power Ratings

| Voltage, Frequency | PRP | ESP |
|---|---------------------------|----------------|
| 400V, 50Hz cos ϕ = 0.8 | 810kVA / 648kW | 900kVA / 720kW |
| Engine Make / Model : | Cummins - QSK23G3 | |
| Generator Make / Model : | Leroy Somer - TAL049C | |
| Control Panel : | ComAp Inteligen AMF9 | |
| Charge Alternator [V / A] : | 24V / 35A | |
| Battery Charger [V / A] : | 24 / 5 | |
| Battery / Capacity [V / Ah] : | 2 x 180 Ah | |
| Block Water Heater [W] : | 2 X 2000 W / 230V | |
| ATS Model / Length x Width x Height * : | ATS 1600A / 1100X2100X600 | |

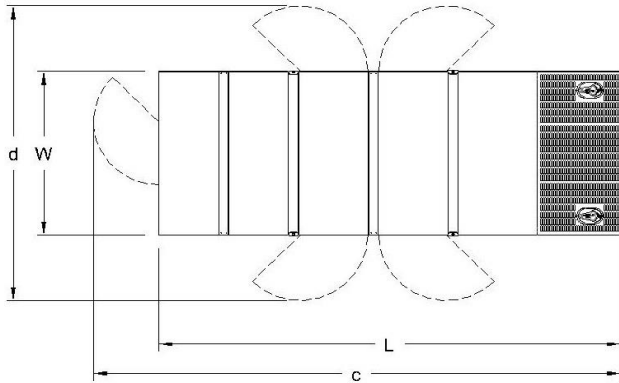
Fuel Consumption

| Load | 110% | 100% | 75% | 50% |
|-------------------------------|-------------------------|------|-----|-----|
| [lt / h] | 178 | 161 | 121 | 85 |
| Fuel Tank Capacity [lt - h] : | 1500 ltrs external type | | | |

Based on diesel fuel with a specific gravity of 0.85 and conforming to TS EN590

Class A2

* Optional Item



Diesel Engine

| | |
|-------------------------------------|-----------|
| Manufacturer : | Cummins |
| Engine Model : | QSK23G3 |
| No. of Cylinders / Alignment : | 6L |
| Bore / Stroke [mm] : | 170 / 170 |
| Compression Ratio : | 16,0/1 |
| Displacement [lt] : | 23,1 |
| Engine Speed [rpm] : | 1500 |
| Gross Engine Power ESP / PRP [kW] : | 768 / 701 |

Generator

| | |
|---------------------------------|------------------|
| Manufacturer : | Leroy Somer |
| Alternator Model : | TAL049C |
| Bearings Type : | Single |
| Insulation Class : | H |
| Winding Pitch : | 2/3 |
| No. of Wires Terminal : | 6 |
| Frequency / Poles : | 50Hz / 4p |
| Voltage (Ph-Ph / Ph-N) : | 400V / 230V |
| Output Power (163°C / 27°C) : | 980 kVA / 784 kW |

Prime Power (PRP)

A Prime rated generator set is capable of providing power to a varying load for an unlimited number of hours per year. Ten percent overload is allowed at one in 12 hours.

Emergency Standby Power (ESP)

A Standby rated generator set is capable of providing max. power to a varying load for 200 hours per year. No overload is allowed.

Standard Reference Conditions

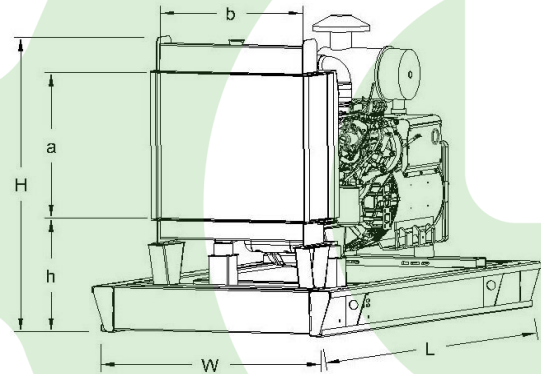
A specified values are given for 25°C ambient temperature, 100m above sea level and 30% relative humidity.

Dimensions & Weights

| | L x W x H (mm) / c x d (mm) | Wet (kg) |
|--------------|--------------------------------------|----------|
| Canopy : | 4800 x 2000 x 3270 / TBA | 7030 kg |
| | L x W x H (mm) / a x b x h (mm) | Wet (kg) |
| W/O Canopy : | 4250 x 1650 x 2350 / 1500 x 1590 510 | 5480 kg |

Dry = Without any liquid

Wet = With lube oil, coolant and fuel



| | |
|--------------------------------|--------------------------------|
| Air Intake System : | Turbo Charged and After Cooled |
| Governor Type / Class 8528 : | Electronic / G2 |
| Total Oil Capacity [lt] : | 103 |
| Oil Type : | API CI-4 / 15W-40 |
| Cooling System Capacity [lt] : | 120 |
| Recommended Fuel : | TS EN590, Class A2 Diesel |
| Emissions Compliance : | N/A |
| Housing - Flywheel : | SAE 0 |

| | |
|-------------------------------------|--------------------------------|
| Regulation Type / Model : | AVR / R150 |
| Protection Class : | IP23 |
| Efficiency (Pf 0,8 Stand By): | 93,7% |
| Voltage Regulation (Steady State) : | \pm 1.0% |
| THD (Total Harmonic Distortion) : | < 3,5% w/o load/ < 5 % on load |
| | 15% 580 kVA |
| Voltage Dip. | 25% 1090 kVA |
| | 30% 1400 kVA |

f = 50Hz, cos ϕ = 0,6 , motor starting is SHUNT is for given.