

GENERATOR SET

Power Ratings

Voltage, Frequency	PRP	ESP
400V, 50Hz cosφ = 0.8	1160kVA / 928kW	1277kVA / 1022kW

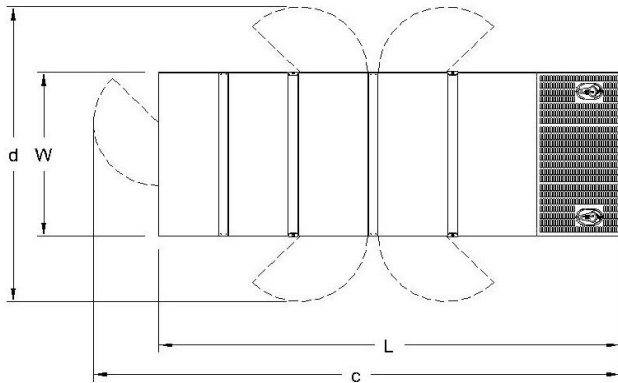
Engine Make / Model :	Baudouin - 12M33G1250/5
Generator Make / Model :	Leroy Somer - LSA50.2. M6
Control Panel :	ComAp AMF 9 Lite
Charge Alternator [V / A] :	24.0 / 55-Negative
Battery Charger [V / A] :	24 / 5
Battery / Capacity [V / Ah] :	2 x (12 / 200)
Block Water Heater [W] :	2X3000 with pump
ATS Model / Length x Width x Dept * :	2000A / 1400X1750X750

Fuel Consumption

Load	110%	100%	75%	50%
[lt / h]	262,4	236,2	175	119,3

Fuel Tank Capacity [lt] : External fuel tank 2000

Based on diesel fuel with a specific gravity of 0.85 and conforming to TS EN590 Class A2



Prime Power (PRP)

A Prime rated generator set is capable of providing power to a varying load for an unlimited number of hours per year. Ten percent overload is allowed at one in 12 hours.

Emergency Standby Power (ESP)

A Standby rated generator set is capable of providing max. power to a varying load for 200 hours per year. No overload is allowed.

Standard Reference Conditions

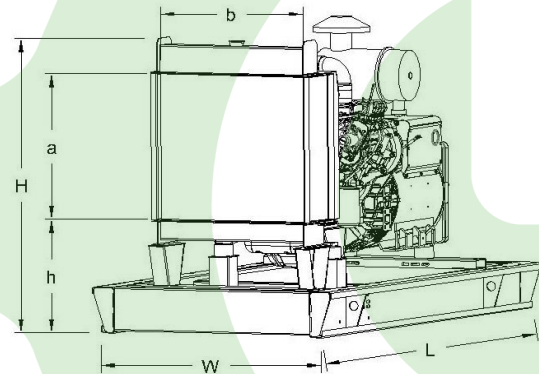
A specified values are given for 25°C ambient temperature, 100m above sea level and 30% relative humidity.

Dimensions & Weights

	L x W x H (mm) / c x d (mm)	Wet (kg)
Canopy :	5200X2450X3570 / TBA	9350
	L x W x H (mm) / a x b x h (mm)	Wet (kg)
W/O Canopy :	4650X2200X2650 / 1890 x 1712 x 617	7830

Dry = Without any liquid

Wet = With lube oil, coolant and fuel



Diesel Engine

Manufacturer :	Baudouin
Engine Model :	12M33G1250/5
No. of Cylinders / Alignment :	12 / V
Bore / Stroke [mm] :	150 / 185
Compression Ratio :	15,0 : 1
Displacement [lt] :	39,2
Engine Speed [rpm] :	1500
Gross Engine Power ESP / PRP [kW] :	1108 / 1007

Generator

Manufacturer :	Leroy Somer
Alternator Model :	LSA50.2 M6
Bearings Type :	Single
Insulation Class :	H
Winding Pitch :	2/3
No. of Wires Terminal :	6
Frequency / Poles :	50Hz / 4p
Voltage (Ph-Ph / Ph-N) :	400V / 230V
Output Power (163°C / 27°C) :	1375kVA / 1100kW

Air Intake System :	Turbocharged & Intercooled
Governor Type / Class 8528 :	Electronic / G2
Total Oil Capacity [lt] :	160
Oil Type :	API CI-4, CH4/ 15W-40
Cooling System Capacity [lt] :	188
Recommended Fuel :	TS EN590, Class A2 Diesel
Emissions Compliance :	N/A
Housing - Flywheel :	SAE 0/18

Regulation Type / Model :	AVR / R450	
Protection Class :	IP23	
Efficiency :	95.1%	
Voltage Regulation (Steady State) :	± 0.5%	
THD (Total Harmonic Distortion) :	< 3.5%	
	15%	1100kVA
Voltage Dip.	25%	2050kVA
	29%	2600kVA

f = 50Hz, Voltage dip is given for Locked rotor.