

## GENERATOR SET

### Power Ratings

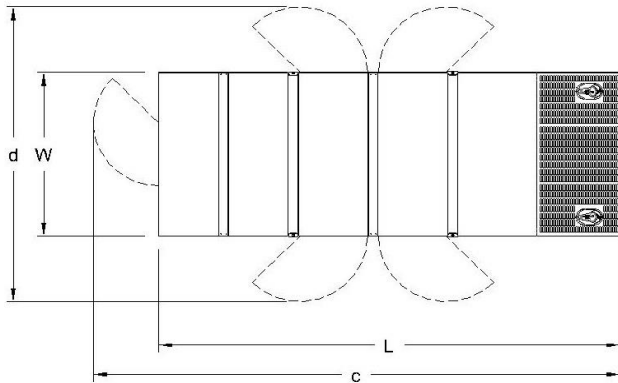
Voltage, Frequency	PRP	ESP
400V, 50Hz cosφ = 0.8	16kVA / 12,8kW	17.5kVA / 14kW

Engine Make / Model :	ALR - AYD4NS18
Generator Make / Model :	ALR - AA164D
Control Panel :	ComAp AMF 9 Lite
Charge Alternator [V / A] :	14.0 / 55-Negative
Battery Charger [V / A] :	13.7 / 5
Battery / Capacity [V / Ah] :	1 x (12 / 60)
Block Water Heater [W] :	500
ATS Model / Length x Width x Depth * :	32A / 550x200x450

### Fuel Consumption

Load	110%	100%	75%	50%
[lt / h]		4,53		
Fuel Tank Capacity [lt] Open skid / Canopied :	100 / 50			

Based on diesel fuel with a specific gravity of 0.85 and conforming to TS EN590 Class A2



### Diesel Engine

Manufacturer :	ALR
Engine Model :	AYD 4NS18
No. of Cylinders / Alignment :	4 / Inline
Bore / Stroke [mm] :	80 / 90
Compression Ratio :	22,0,1
Displacement [lt] :	1,809
Engine Speed [rpm] :	1500
Gross Engine Power ESP / PRP [kW] :	RFI / 15.4

### Generator

Manufacturer :	ALR
Alternator Model :	AA164D
Bearings Type :	Single
Insulation Class :	H
Winding Pitch :	2/3
No. of Wires Terminal :	6
Frequency / Poles :	50Hz / 4p
Voltage (Ph-Ph / Ph-N) :	400V / 230V
Output Power (163°C / 27°C) :	17,5 kVA / 14 kW

### Prime Power (PRP)

A Prime rated generator set is capable of providing power to a varying load for an unlimited number of hours per year. Ten percent overload is allowed at one in 12 hours.

### Emergency Standby Power (ESP)

A Standby rated generator set is capable of providing max. power to a varying load for 200 hours per year. No overload is allowed.

### Standard Reference Conditions

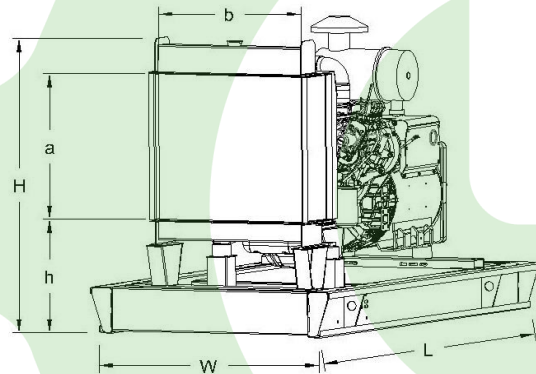
A specified values are given for 25°C ambient temperature, 100m above sea level and 30% relative humidity.

### Dimensions & Weights

	L x W x H (mm) / c x d (mm)	Wet (kg)
Canopy :	1750x950x1420 / RFI	695
	L x W x H (mm) / a x b x h (mm)	Wet (kg)
W/O Canopy :	1300X850X1120 / 410X520X600	500

Dry = Without any liquid

Wet = With lube oil, coolant and fuel



Air Intake System :	Nat. Aspirated
Governor Type / Class 8528 :	Mechanic / G1
Total Oil Capacity [lt] :	10
Oil Type :	API CI-4, CH4/ 15W-40
Cooling System Capacity [lt] :	6,7
Recommended Fuel :	TS EN590, Class A2 Diesel
Emissions Compliance :	-
Housing - Flywheel :	4-7.5

Regulation Type / Model :	AVR / SX440	
Protection Class :	IP23	
Efficiency :	81,7%	
Voltage Regulation (Steady State) :	± 1.0%	
THD (Total Harmonic Distortion) :	< 3.5%	
	15%	RFI kVA
Voltage Dip.	25%	RFI kVA
	30%	RFI kVA

f = 50Hz, cos φ = 0 is for given.

