

GENERATOR SET

Power Ratings

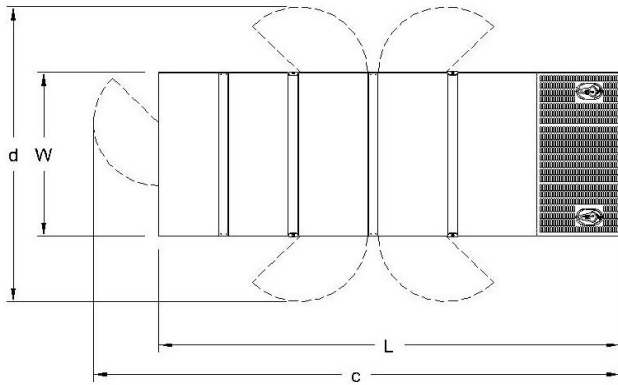
Voltage, Frequency	PRP	ESP
400V, 50Hz cosφ = 0.8	100kVA / 80kW	110kVA / 88kW

Engine Make / Model :	ALR - AYD4TS44
Generator Make / Model :	ALR - AA274C
Control Panel :	ComAp AMF 9 Lite
Charge Alternator [V / A] :	14.0 / 55-Negative
Battery Charger [V / A] :	13.7 / 5
Battery / Capacity [V / Ah] :	1 x (12 / 90)
Block Water Heater [W] :	1000
ATS Model / Length x Width x Dept * :	160A / 550x200x450

Fuel Consumption

Load	110%	100%	75%	50%
[lt / h]	23,1	21	15,75	10,5
Fuel Tank Capacity Open skid / Canopied :	150 / 140			

Based on diesel fuel with a specific gravity of 0.85 and conforming to TS EN590 Class A2



Diesel Engine

Manufacturer :	ALR
Engine Model :	AYD 4TS44
No. of Cylinders / Alignment :	4 / Inline
Bore / Stroke [mm] :	110 / 118
Compression Ratio :	18,0,1
Displacement [lt] :	4,48
Engine Speed [rpm] :	1500
Gross Engine Power ESP / PRP [kW] :	RFI / 88

Generator

Manufacturer :	ALR
Alternator Model :	AA274C
Bearings Type :	Single
Insulation Class :	H
Winding Pitch :	2/3
No. of Wires Terminal :	6
Frequency / Poles :	50Hz / 4p
Voltage (Ph-Ph / Ph-N) :	400V / 230V
Output Power (163°C / 27°C) :	110kVA / 88kW

Prime Power (PRP)

A Prime rated generator set is capable of providing power to a varying load for an unlimited number of hours per year. Ten percent overload is allowed at one in 12 hours.

Emergency Standby Power (ESP)

A Standby rated generator set is capable of providing max. power to a varying load for 200 hours per year. No overload is allowed.

Standard Reference Conditions

A specified values are given for 25°C ambient temperature, 100m above sea level and 30% relative humidity.

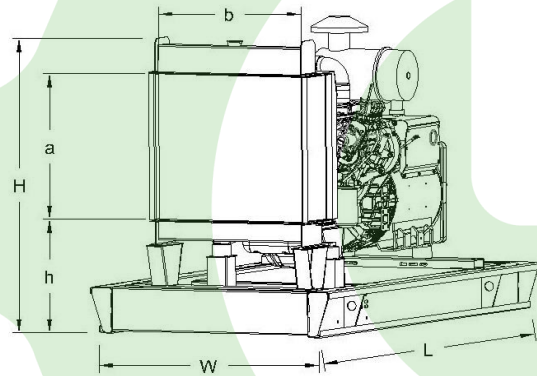
Dimensions & Weights

	L x W x H (mm) / c x d (mm)	Weight (Kg)
Canopy :	2350x1100x1730 / RFI	1390

	L x W x H (mm) / a x b x h (mm)	Weight (Kg)
W/O Canopy :	1850X900X1370 / 670X610X550	1050

Dry = Without any liquid

Wet = With lube oil, coolant and fuel



Air Intake System :	Turbocharged & Intercooled
Governor Type / Class 8528 :	Electronic / G2
Total Oil Capacity [lt] :	26
Oil Type :	API CI-4, CH4/ 15W-40
Cooling System Capacity [lt] :	10,46
Recommended Fuel :	TS EN590, Class A2 Diesel
Emissions Compliance :	-
Housing - Flywheel :	3-11.5

Regulation Type / Model :	AVR / SX440	
Protection Class :	IP23	
Efficiency :	90,3%	
Voltage Regulation (Steady State) :	± 1.0%	
THD (Total Harmonic Distortion) :	< 3.5%	
	15%	RFI kVA
Voltage Dip.	25%	RFI kVA
	30%	RFI kVA

f = 50Hz, cos φ = 0 is for given.